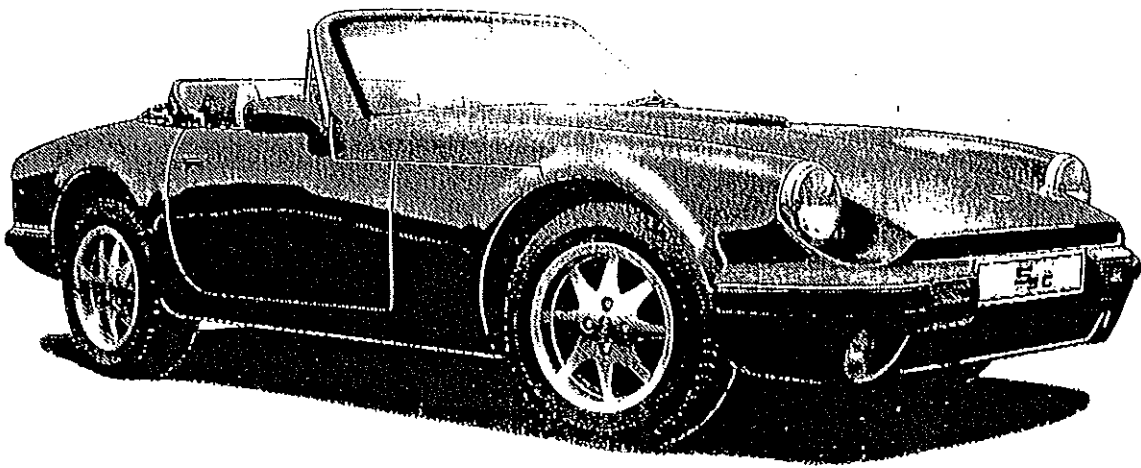
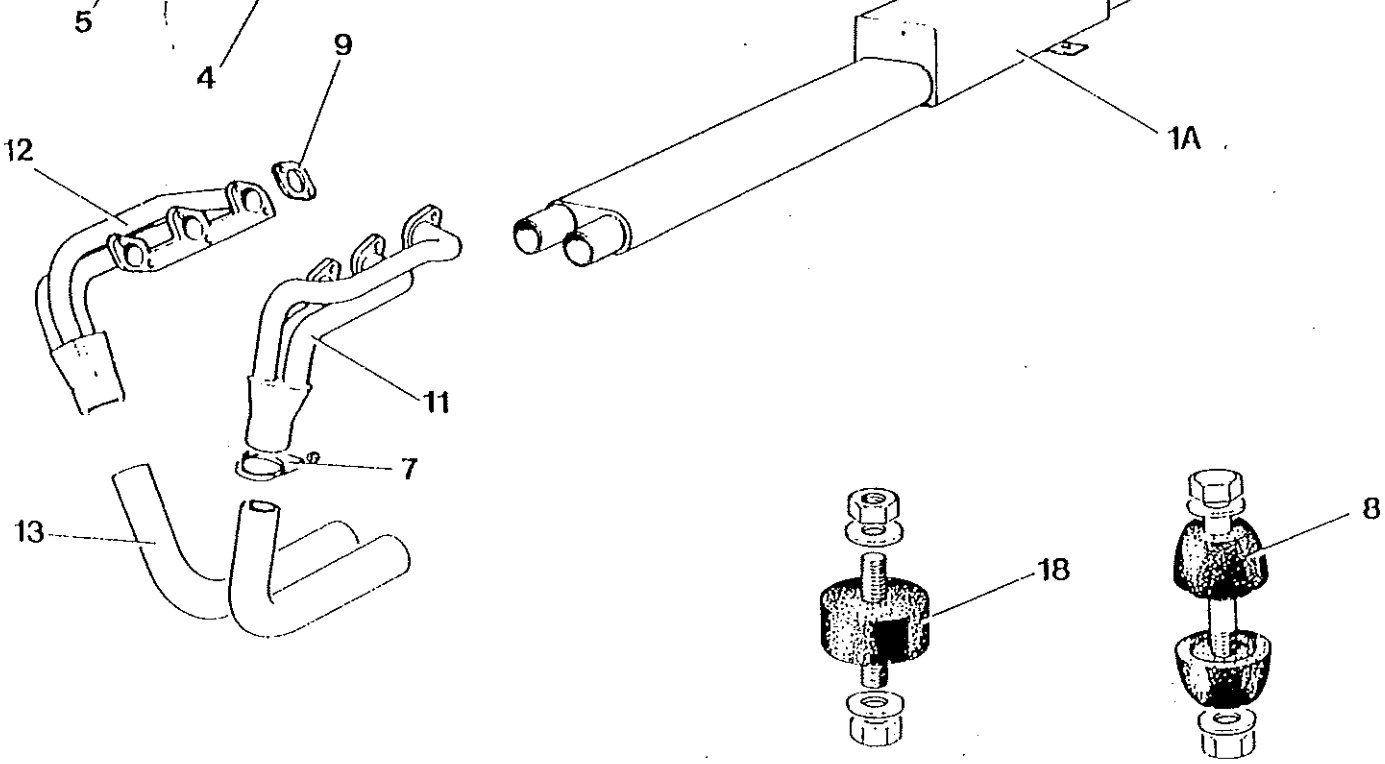
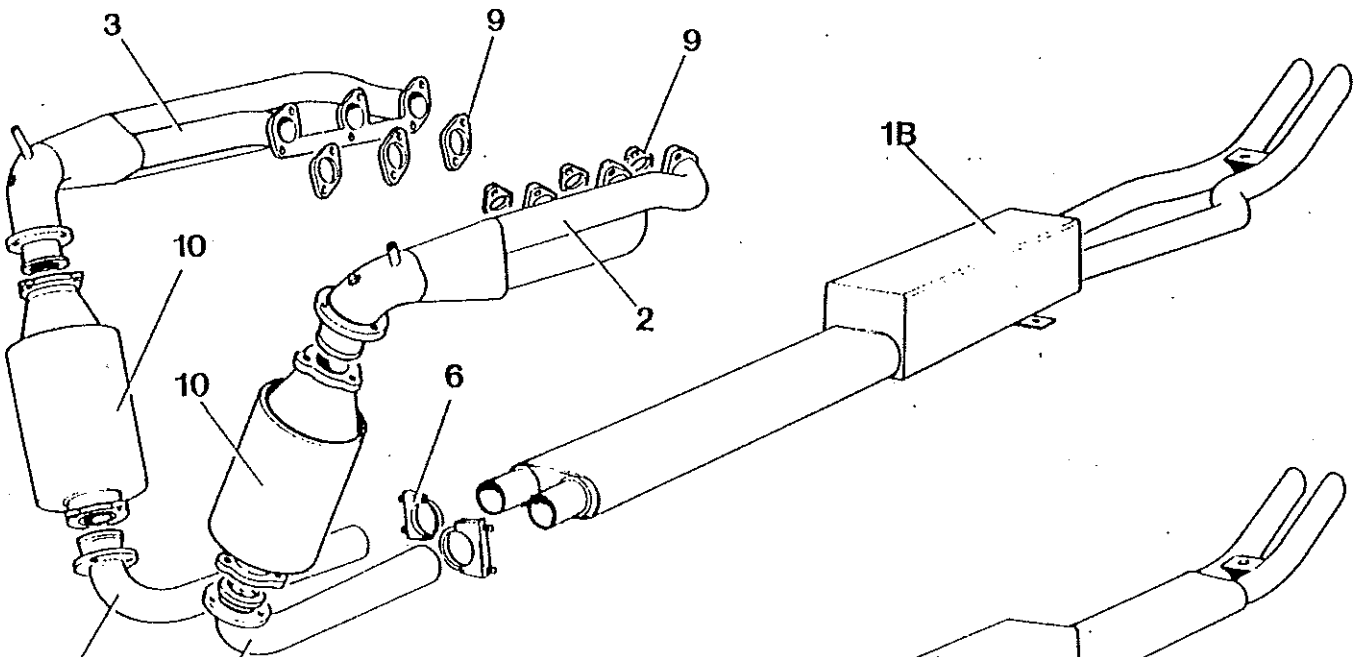
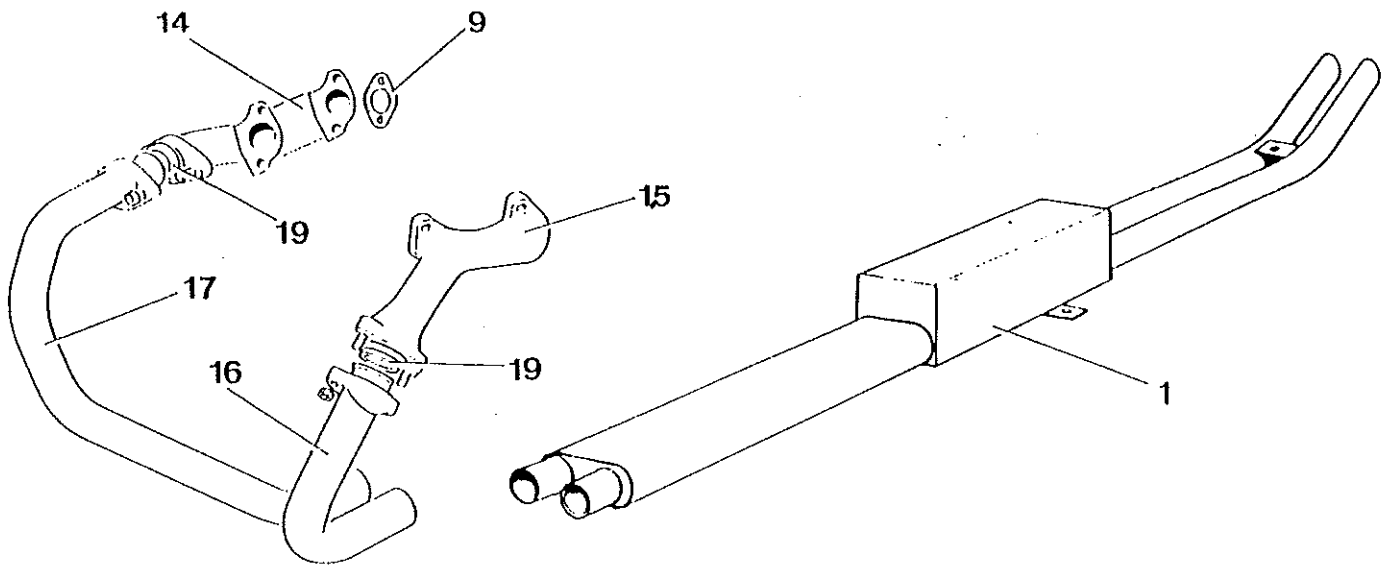


**TR**



Parts Catalogue  
Section S Exhaust

**S**  
SERIES



**TVR Engineering Limited Parts Catalogue**

Section      S1      Exhaust

Comments :

Date of Issue :Jan 1990      Date Revised :      Drawing Ref :

Item	Part No.	Description	Qty
1	S29S 10057	Exhaust System (Europe Except Switzerland) Replaces S28S 10042 On 2.8	1
1A	S29S 10062	Exhaust System (Switzerland Only)	1
1B	S29S 10068	Exhaust System (UK Only)	1
2	S29S 10064	Exhaust Manifold LH (Catalyst)	1
3	S29S 10065	Exhaust Manifold RH (Catalyst)	1
4	S29S 10066	Front Pipe (Catalyst To Silencer) LH	1
5	S29S 10067	Front Pipe (Catalyst To Silencer) RH	1
6	S28S 10023	Exhaust Clamp 52mm (2in)	2
7	O35S 093A	Exhaust Clamp 54mm (2 1/8 in)	2
8	S28S 10024	Mounting Rubber (2 Piece Cup)	3
9	S28S 10056	Manifold Gasket	6
10	S29S 10070	Catalytic Converter	2
11	S29S 10052	Exhaust Manifold LH (Non- Cat)	1
12	S29S 10053	Exhaust Manifold RH (Non- Cat)	1
13	S29S 10054	Front Pipe (Non- Cat)	1
14	S28S 10001	RH Exhaust Manifold (2.8 Only)	1
15	S28S 10012	LH Exhaust Manifold (2.8 Only)	1
16	S28S 10006	LH Front Pipe (2.8 Only)	1
17	S28S 10007	RH Front Pipe (2.8 Only)	1
18	O35S 150A	Exhaust Mounting (Solid 2.8 Only)	3
19	O25S 025A	Exhaust Olive (2.8 Only)	2

